

APPLICATION: 1 Axle Spring Brake FMVS 121 Exempt

PART #: PAKESB-1-B1

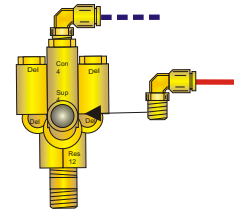
CONTENTS: Glad hand assemblies

- Air tank with installed drain valve and plugged unused ports
- Air tank mounting kit with pads, bolts, washers and lock nuts
- Brake valve(s) are installed and include push to connect fittings
- Hoses with swivel hose ends are installed to valve(s)
- Hose separators

OPTIONAL SYSTEMS

PAKESB-1-B2

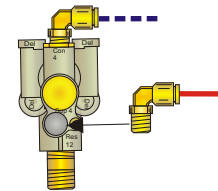
TRAMEC SPRING BRAKE VALVE



DA4204 (TEV) SB PRIORITY

PAKESB-1-B3

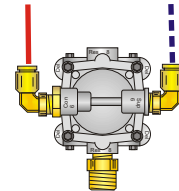
TRAMEC SPRING BRAKE VALVE



DA4204A (STEV) SVC PRIORITY

PAKESB-1-B4

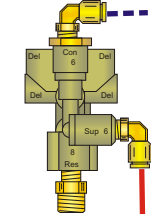
SEALCO SPRING BRAKE VALVE



DA4101 (110170) SB PRIORITY

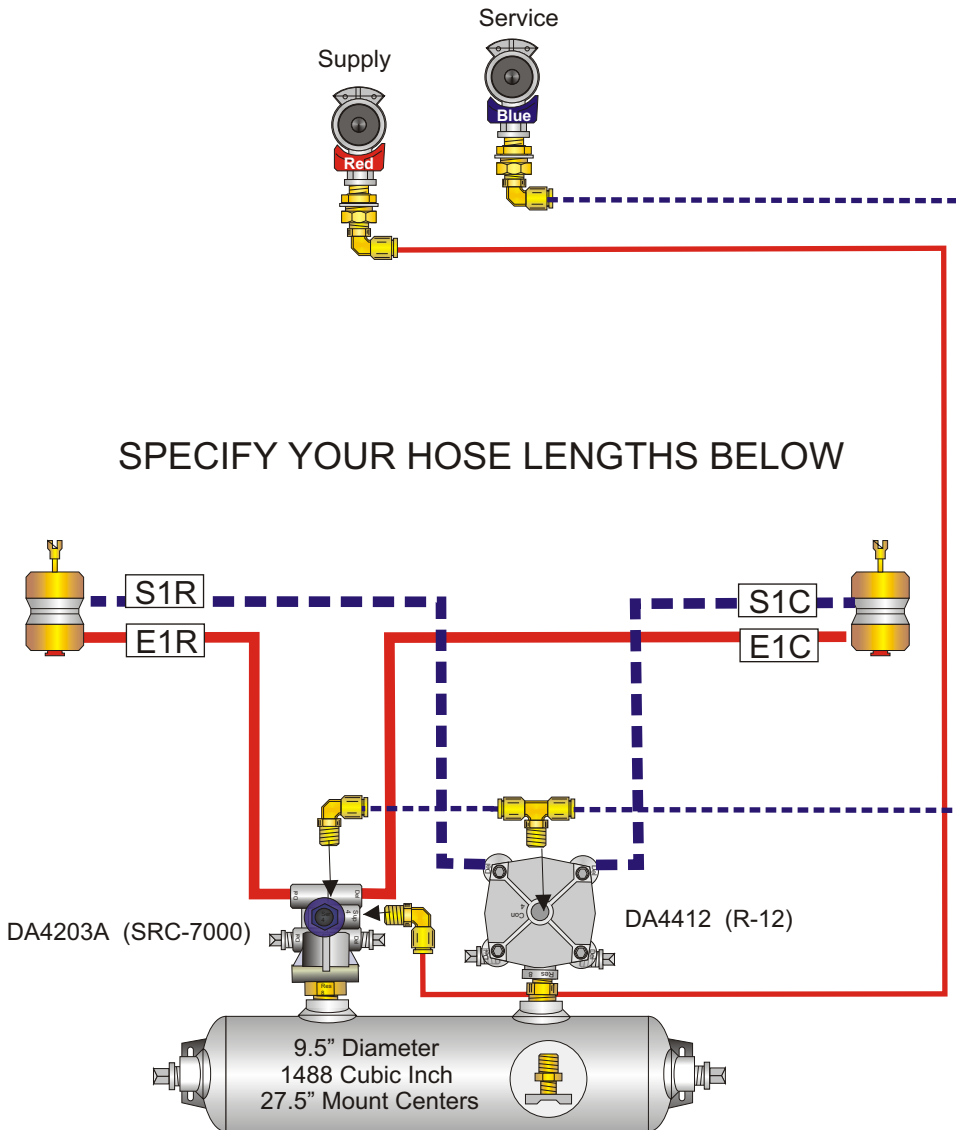
PAKESB-1-B5

SEALCO SPRING BRAKE VALVE



DA4201 (110500) SB PRIORITY

SPECIFY YOUR HOSE LENGTHS BELOW



SPECIFY HOSE LENGTH IN INCHES EMERGENCY:

E1R	E1C
E2R	E2C
E3R	E3C
SERVICE:	
S1R	S1C
S2R	S2C
S3R	S3C
S4R	S4C

Service Hose	Supply Hose
Service Tube	Supply Tube

Specifications:

Hoses meet J1402 & JT106 specifications and are 3/8 ID unless otherwise noted. Reservoirs meet J10B specifications
 Pipe fittings are brass or plated SH80 steel. Push-in style 3/8 tube fittings standard. ABS Electronics pre-tested before shipment.